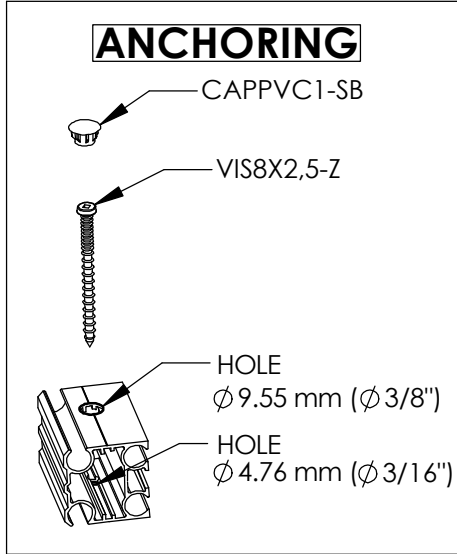
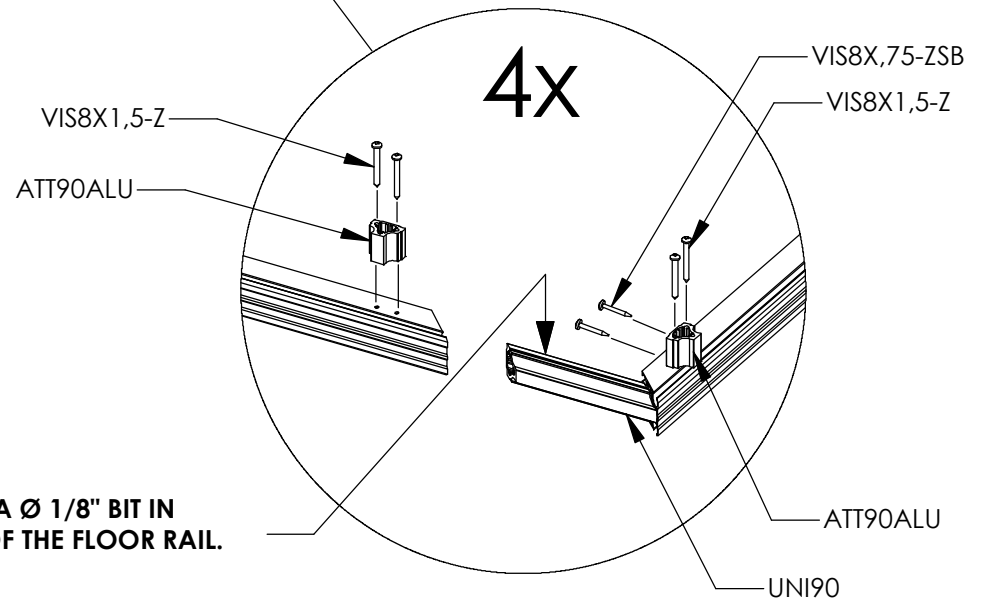
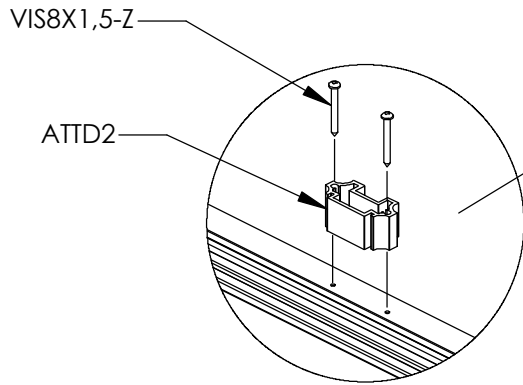
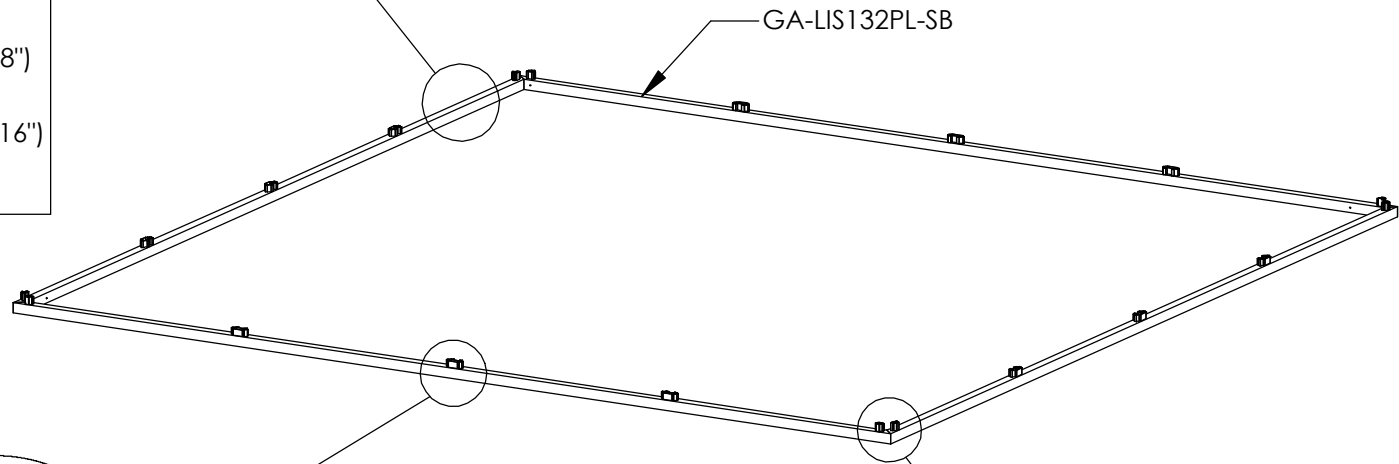


STEP 1

PART #	LENGTH	DESCRIPTION	QTY
GA-LIS132PL-SB	3.35 m (132") 45°	Floor rail sand	4
UNI90	152.4 mm (6")	Aluminum corner	4
ATTD2	22.23 mm (7/8")	Aluminum tie double2	12
ATT90ALU	22.23 mm (7/8")	Aluminum tie 90 degrees	8
CAPPVC1-SB	9.53 mm (3/8")	3/8 PVC cap sand	55
VIS8X ,75-ZSB	19.05 mm (3/4")	Screw #8 x 3/4" sand	16
VIS8X 1,5-Z	38.1 mm (1 1/2")	Screw #8 x 1 1/2" zinc	40
VIS8X 2,5-Z	63.5 mm (2 1/2")	Screw #8 x 2 1/2" zinc	55



TO DO:
DRILL HOLES WITH Ø 9.55 mm (Ø 3/8") AND Ø 4.76 mm (Ø 3/16") BIT FOR ANCHORING EVERY 10" ON THE FLOOR RAIL GA-LIS132PL-SB.



DRILL UNI90 WITH A Ø 1/8" BIT IN EXISTING HOLES OF THE FLOOR RAIL.